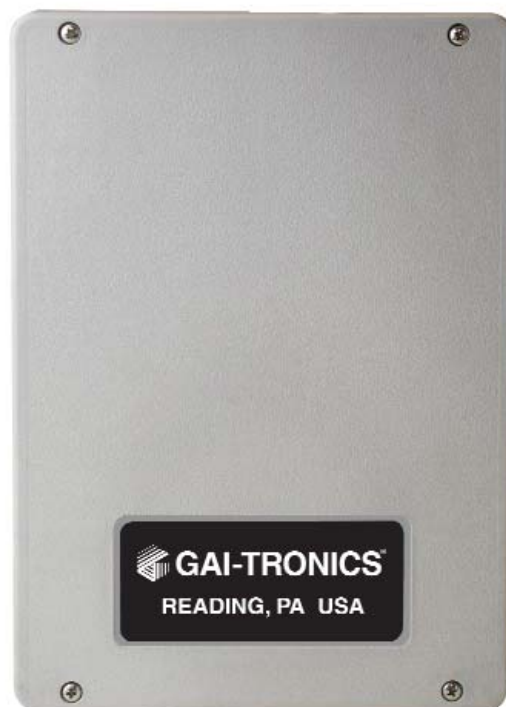


Features

- **Interfaces GAI-TRONICS SP2 Stations to Existing Page/Party® Systems**
- **Converts One 33Ω Page Line and Five 33Ω Party Lines to SP2 Multicast IP Channels**
- **Indoor Wall-mount Unit**
- **Configurable Isolate Function**
- **Simple Configuration via GAI-TRONICS GUDA Software**



Visit our GUDA web page to download software.



SP2 is one of GAI-TRONICS' most advanced paging and intercom systems. Combining the simplicity of "press to page, release to party" operation with cutting-edge multicast Voice over Internet Protocol (VoIP) technology, SP2 is capable of providing virtually instant communication in the most demanding of environments.

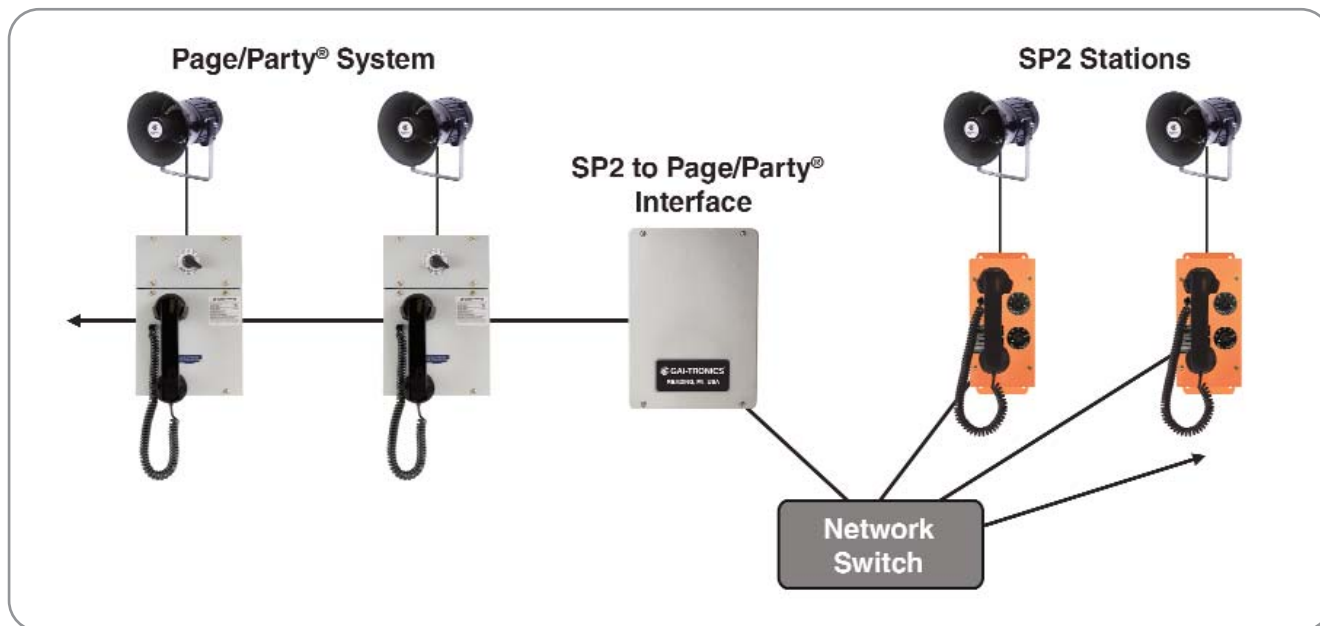
SP2 is a server-less system. While other systems rely on servers to route calls and administer the system, SP2 uses multicast technology, bypassing the need for servers and so improving speed, simplicity, reliability, and ease of installation.

With the SP2 to Page/Party interface it is possible for existing users of Page/Party and ICS equipment to add SP2 stations to their systems.

The SP2 to Page/Party interface includes six independent 33Ω to IP multicast conversion circuits, allowing a single unit to interface a page line and up to five party lines.

The SP2 to Page/Party interface is capable of integrating completely into a Page/Party or ICS system. Off-hook detection and isolate functions ensure proper operation of existing Page/Party accessories.

Typical Block Diagram



Part Number(s)

Wall-mount SP2 to Page/Party Interface 370-901

Specifications

Electrical

AC Supply Voltage 120/230 V ac
Input frequency range 50/60 Hz
Network Requirements 100Base T network with IGMP

Mechanical

Construction High Impact GRP, gray
Mounting Wall mounting; four 0.28 holes
Dimensions (overall) 13.0 H x 9.25 W x 4.0 D inches
(363.3 x 331.8 x 296.6 mm)

Environment

Temperature range +32° F to +122° F (0° C to +50° C)
Relative Humidity 95%, non-condensing